

## Mauna Plus

### 6W Dimmable Fire Rated Downlight with Interchangeable Bezel



#### Switchable CCT

3000K/4000K/6000K

#### Fire Rated

30, 60 and 90 Minutes

#### 3 Year

Standard Warranty

CRI $\geq$ 80

Up to 100lm/W  
30,000h

## Overview

The Kosnic 6W Dimmable Fire Rated Downlights are suitable for 30, 60 and 90 minute applications. They have a switchable CCT function so that the installer can select 3000K, 4000K or 6000K. The downlights are dimmable with mains dimmer switches, compatible with a Kosnic emergency module and have a choice of bezel colours. The white bezel is supplied as standard.

## Features

- Colour temperature selection: 3000K, 4000K and 6000K
- Dimmable
- IP65
- Class I built-in driver
- BS 476 Part 21 / BS EN 1365-2 Fire-Rated to 30, 60 and 90 minutes
- Compatible with Kosnic's emergency module
- Choice of interchangeable magnetic bezel finishes
- Supplied with white magnetic bezel
- Can be installed under insulation
- High lumen output
- Long life of 30,000h
- Instant start
- Negligible UV output

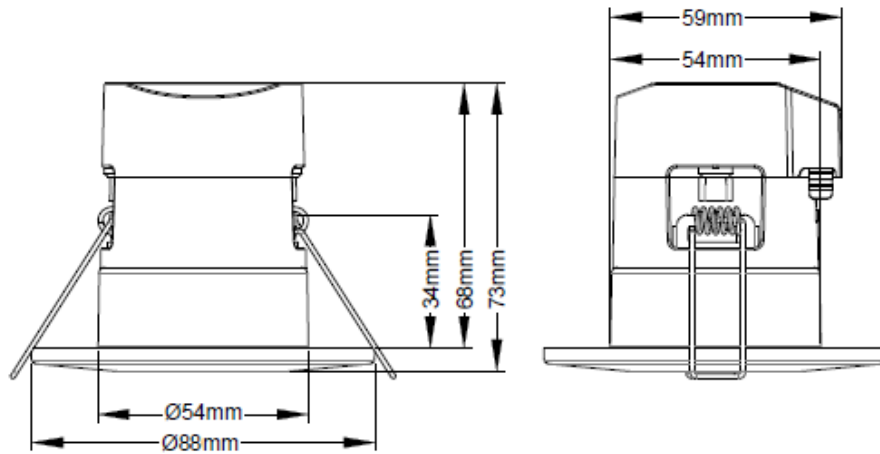
### Specifications

Order Code	KFDL06DIM/SCT-WHT
Power	6 W
Voltage	220-240 Vac 50-60 Hz
Current	31 mA
Protection	Class I, IP65
Connection	Wiring Terminals
Luminous Flux	550 lm (3000 K) 600 lm (4000 K) 550 lm (6000 K)
CCT	3000 K (Warm White) 4000 K (Cool White) 6000 K (Day Light)
Flicker	18 %
Lifetime	30,000 h
Beam Angle	60 °
Dimmable	Yes
Switching Cycles	15,000
Warm-up time to 60% $\Phi$	Instant full light
Diameter	88 mm
Depth	73 mm
Cut-out	64 mm
Weight	180 g
Power Factor	0.85
In-rush current (peak/duration)	0.1 A / 40 $\mu$ s
LMF at Lifetime	0.70
SDCM of CCT	< 6
CRI	$\geq$ 80
Start Time	< 0.5 s
Ambient Temperature	-30 to 40 °C
Compatible Emergency Module	CEL03LIC/N
Emergency Luminous Flux	120 lm

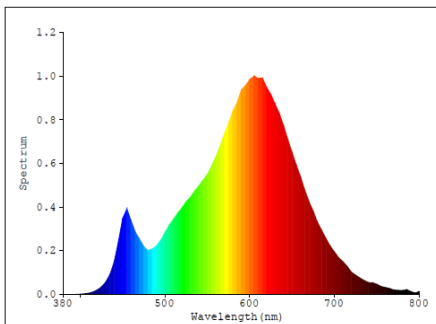
### Accessories

Description	Order Code	
Emergency module	CEL03LIC/N	Three hour rated Li-Ion emergency module
Brass magnetic bezel	KPT-06DFBZ-BAS	
Matt black magnetic bezel	KPT-06DFBZ-BLK	
Polished chrome magnetic bezel	KPT-06DFBZ-CHM	
Satin chrome magnetic bezel	KPT-06DFBZ-SCH	
White chrome conceal bezel	KPT-MACBZ-WHT	Extends bezel to fit 80-110mm cut-outs
Satin chrome conceal bezel	KPT-MACBZ-SCH	Extends bezel to fit 80-110mm cut-outs

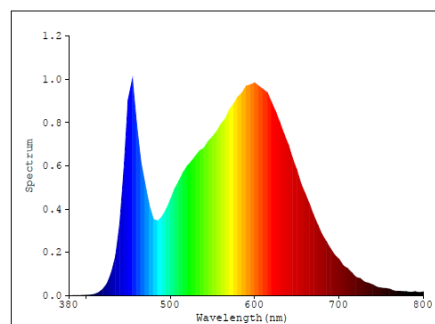
## Dimensions



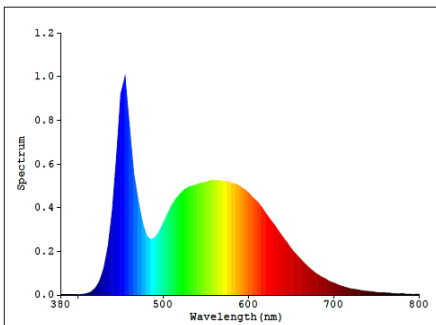
## Photometric Information



3000K

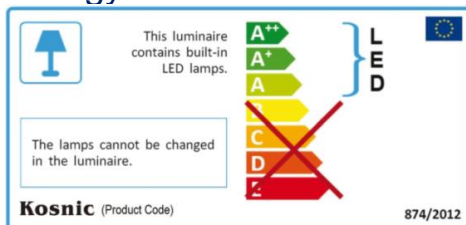


4000K



6000K

## Energy Label



## Compatibility

The operation of common mains voltage AC dimmers appears similar, but the electrical characteristics vary significantly. While this makes no difference to filament lamps, the effect on the electronics within the LED driver can be dramatic and incompatible. The recommendations given are based on laboratory testing of the volume shown and should be used as guidance. The complicated application environment and huge variation in dimmer construction mean it is not possible to guarantee that a particular dimmer will work perfectly. In extreme cases incompatible dimmer switches may damage the LED drivers. Please ensure that the set-up is tested for performance before committing to a large project.

### Recommended Dimmer Switches:

Manufacturer	Model	Marked Rating	Notes
Aurora	AU-DSP400X	400W	1 to 15 lamps. Approximately 90% dimming.
BG	DM400AP	5-50W LED	1 to 15 lamps. Approximately 80% dimming.
Click	CMA145 (or MD9022)	250W	2 to 15 lamps. Approximately 65% dimming.
CYANIRIS	CYDIMRFT1 (Remote)	2 x 288W	1 to 15 lamps. Approximately 95% dimming.
Danlers	DQDGD MK	400W	2 to 15 lamps. Approximately 80% dimming.
Hamilton	LEDITB100	100W	1 to 15 lamps. Approximately 95% dimming.
Hamilton	H-LEDStat/GRID100LED	100W	1 to 15 lamps. Approximately 95% dimming.
Hamilton	L400/2 (or N4002)	400W	1 to 15 lamps. Approximately 55% dimming.
MK	K1523***LV (Logic Plus)	4-70W LED	1 to 10 lamps. Approximately 80% dimming.
Robus	LOADPRO RLA200DT-01	133W	1 to 15 lamps. Approximately 95% dimming.
Varilight	Eclique (JDQI401S)	400W	2 to 15 lamps. Approximately 75% dimming.
Varilight	V-Dim	400W	2 to 15 lamps. Approximately 60% dimming.
Varilight	V-Pro	100W LED	1 to 15 lamps. Approximately 95% dimming.
Zano	ZGRID500	50W LED	1 to 15 lamps. Approximately 80% dimming.
Zano	ZGRIDLED	250W LED	1 to 15 lamps. Approximately 95% dimming.